

Setting Up Your DryTAG

1. Using the tabs shown, rotate the cap counter-clockwise by hand to remove it.
2. Remove the battery pull tab and discard.
3. Thread the cap back into the base of the DryTAG, and rotate clockwise until it is fully seated.
4. Follow instructions on TS- 1131 to add the DryTAG to DryLINK.
5. After installation onto equipment (see below), check that equipment shows as “on” within DryLINK.

Installing Onto Equipment

General

The DryTAG can be attached to any equipment you wish to track. Mounting screws are provided, but other fastening methods can also be used:

- Rivets
- Cable ties
- Adhesive
- Epoxy
- Etc.

Some things to consider:

1. If drilling or screwing into your equipment, be aware of what is behind the mounting surface. For example, electrical, condensate drainage, or refrigeration components can be damaged by a drill bit or screw.
2. The DryTAG must be rigidly mounted to the equipment to detect whether it's on or off. For example, a DryTAG hanging from a handle will not correctly sense vibration from a blower or compressor.
3. Do not mount the DryTAG to parts of your equipment that can be easily removed or misplaced (e.g. filter doors or duct collars).
4. The DryTAG contains a battery which will need to be replaced periodically. Consider locating the DryTAG somewhere where the cap can be easily accessed.
5. Locate the DryTAG so that it will not interfere with basic equipment functions like stacking, handling, or accessory installation/removal.

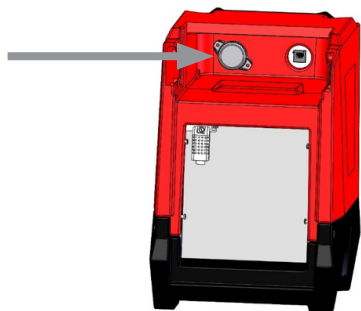
DRYTAG MOUNTING LOCATIONS

PRODUCT

MOUNTING LOCATION

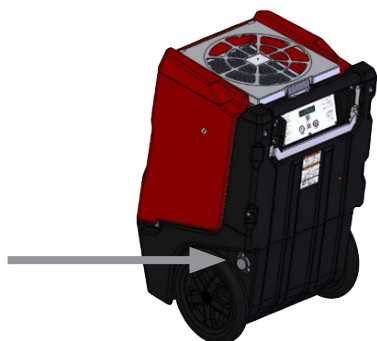
MOUNTING METHOD

DryMAX



Included screws on the back wall of the cord pocket on the opposite corner from the cord hole

**R175/R200/
R250/R340**



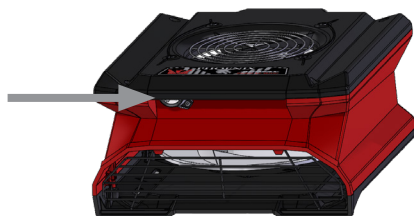
Included screws into lower housing right above the wheels

DryMAX XL



Included screws on the upper housing below molded handle

AirMAX



Included screws onto mounting bracket that slides onto screw boss



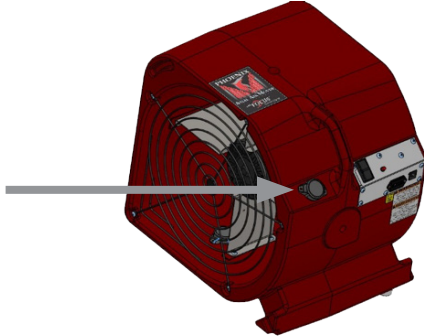
DRYTAG MOUNTING LOCATIONS

Guardian R



Included screws into lower housing right below the handle

AAM



Included screws into housing to the direct right of the handle OR inside of the unit near stator into the plastic

When installing the DryTAG on other equipment, the following is the order of priority to use when deciding on an installation location.

1. Doesn't interfere with the usability of unit (i.e. in the way of power switch)
2. Doesn't interfere with the stackability of the unit
3. Doesn't interfere with the cord/hose storage of the unit
4. Isn't expose to impact/snagging

When installing the DryTAG on the Phoenix equipment listed above, alternate locations are not recommended.

The DryTAG comes with a battery pull-tab which must be removed to activate the unit.



PHOENIX

USEPHOENIX.COM | 800-533-7533

